

4040XP Series



The 4040XP is LCN's most durable and flexible heavy duty closer designed for institutional and other demanding high traffic applications.

Features

Certifications	Grade 1 - ANSI A156.4, UL 10C, ADA, 100 hour salt spray, meets BAA - Buy American Act
Body construction	<ul style="list-style-type: none"> Cast iron body Full complement bearing 1 1/2" diameter piston Double heat treated pinion journal
Fluid	All weather liquid X fluid
Handing	Non-handed
Templating	Peel-n-Stick templates - 2 1/4" x 5" mounting hole pattern
Size	Adjustable spring size 1-6, includes patented green dial
Warranty	30 years

Cover	<ul style="list-style-type: none"> Plastic Cover (PC), standard Metal Cover (MC), optional
Fasteners	Self reaming and tapping screws (SRT)
Mounting	Hinge (pull side), top jamb (push side), parallel arm (push side)
Arms	Regular arm
Finishes/colors/ powder coat	<ul style="list-style-type: none"> 689 Aluminum 690 Statuary bronze 691 Light bronze 693 Black 695 Dark bronze 696 Brass Custom colors optional
	<ul style="list-style-type: none"> Optional SRI primer - powder coat only Optional plated finishes

Special templates

Customized installation templates or products may be available to solve non-standard applications. Contact LCN Product Support for assistance.

Mounting		Finish		Cover	Cylinder		Arm function*																
Hinge (pull) side	Top jamb (pull)	Top jamb (push)	Parallel arm	Stop face	Powder coat	Plated	Plastic	Metal	Non-handed	Non-sized	Accessibility	Delay Action***	CYLAVB**	120°	Regular (double)	Standard (single)	Hold Open	Fusible Link	EDA/HEDA	CUSH/HCUSH	SCUSH/SHCUSH	Double Egress	
■	■	■	■	■	■	■	■	■	■	■	■	■	■	■	■	■	■	■	■	■	■	■	■

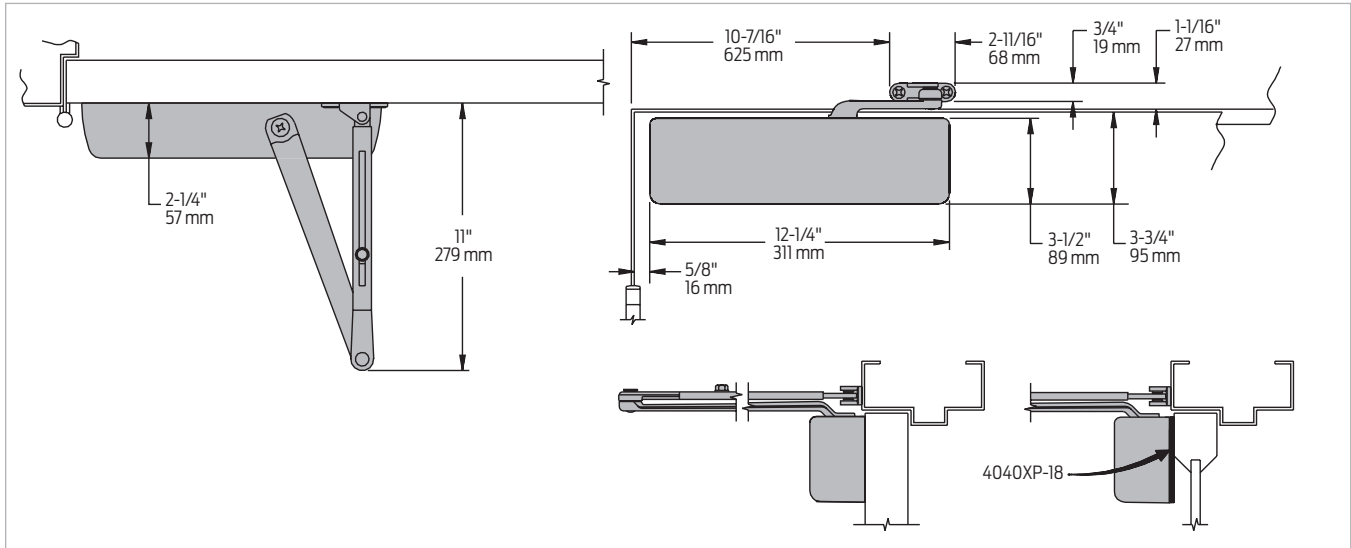
■ Available
 ■ Not available

♿ Closer available with less than 5.0 lbs. opening force on 36" door.
 * Maximum opening/hold open point with standard template.
 ** Advanced Variable Back Check.
 *** Delay feature incorporates standard 4040 cylinder (not XP).

Introduction
 Product selection guide
 4010/4010T Series
 4020/4020T Series
 4030/4030T Series
4040XP/4040XPT Series
 4050A/4050AT Series
 4110/4110T Series
 4000T Series

Mounting details

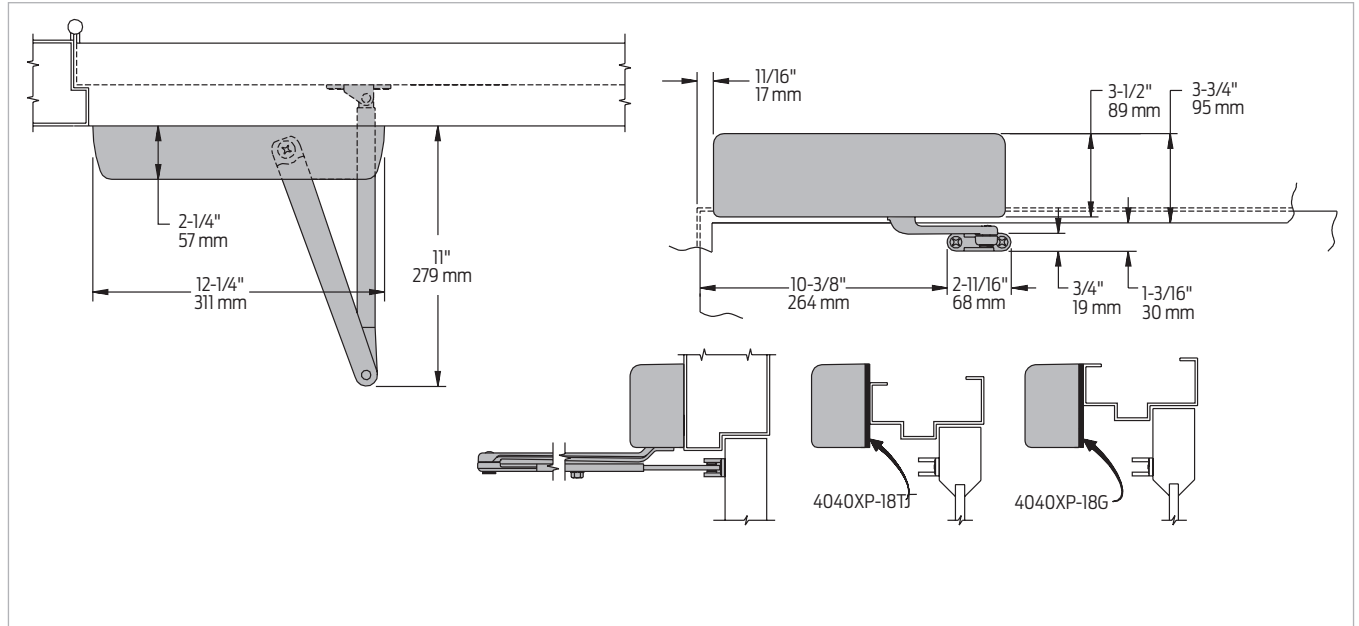
Hinge (pull) side mounting



Butt hinges	Should not exceed 5" (127 mm) in width
Auxiliary stop	Recommended at hold open point or where a door cannot swing beyond 120°
Reveal	Should not exceed 3/4" (19 mm) for Regular or Hold Open Arm
Top rail	Less than 3 3/4" (95 mm) requires plate, 4040XP-18; Plate requires 2" (51 mm) minimum
Clearance	2 3/8" (60 mm) behind door required for 90° installation
Delay action	<ul style="list-style-type: none"> ▪ Incorporates standard 4041 cylinder ▪ Delays closing from 120° to 70° ▪ Delay time adjustable up to approximately 1 minute
Maximum opening	<ul style="list-style-type: none"> ▪ Templating allows up to 120° ▪ Hold open points 90° up to 120° with Hold Open Arm

Mounting details

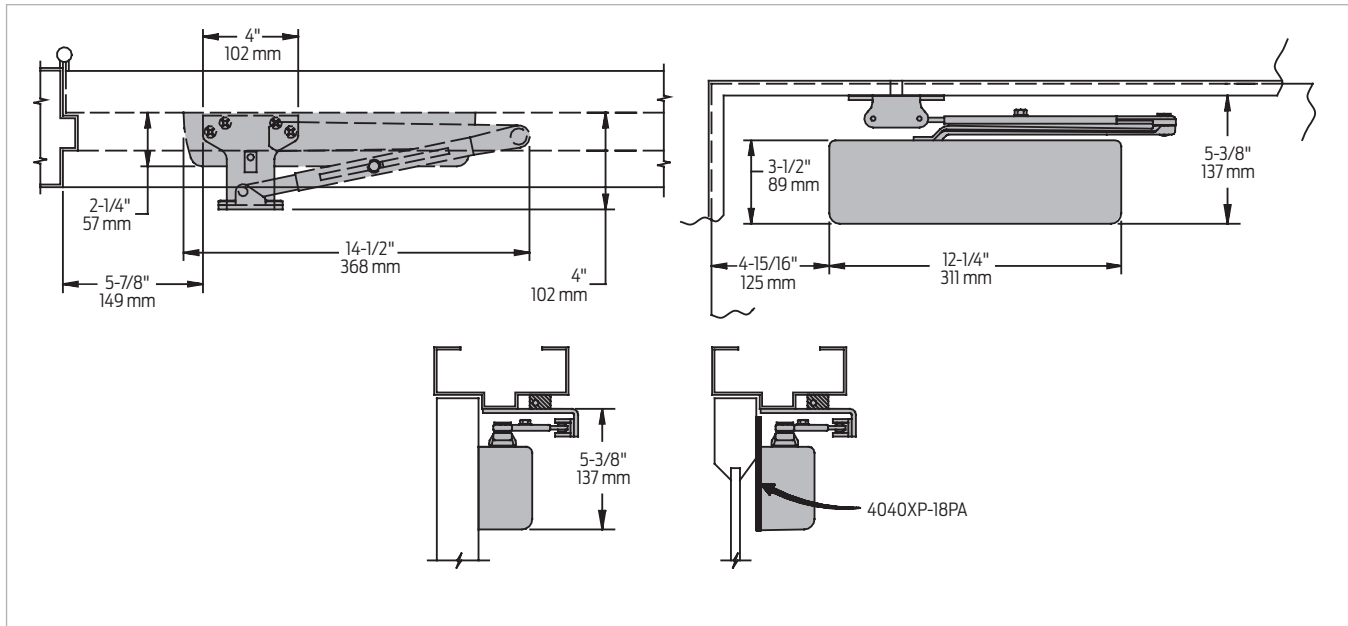
Top jamb (push) side mounting



Butt hinges	Should not exceed 5" (127 mm) in width		
Auxiliary stop	Recommended at hold open point or where a door cannot swing beyond 120°		
Reveal	Arm type	Reveal	Max opening
	Regular Arm	2 9/16"	Up to 120°
	Long Arm	4 13/16"	Up to 120°
	Hold Open Arm	2 9/16"	Up to 120°
	Hold Open Long Arm	8"	Up to 120°
Top rail	<ul style="list-style-type: none"> Requires 1 1/4" (32 mm) minimum 2 1/4" (57 mm) minimum with closer on plate, 4040XP-18TJ 3" (76 mm) minimum with closer on plate, 4040XP-18G 		
Head frame	<ul style="list-style-type: none"> Less than 3 1/2" (89 mm) requires plate, 4040XP-18TJ With flush ceiling, use plate, 4040XP-18G. Either plate requires 1 3/4" (44 mm) minimum 		
Maximum opening	<ul style="list-style-type: none"> Templating allows up to 120° Hold open points 85° up to 120° with Hold Open Arm 		
Delay action	<ul style="list-style-type: none"> Incorporates standard 4041 cylinder Delays closing from 120° to 70° Delay time adjustable up to approximately 1 minute 		

Mounting details

Parallel arm (push) side mounting



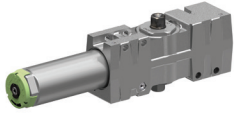
Butt hinges	Should not exceed 5" (127 mm) in width
Auxiliary stop	Recommended at hold open point, where the door cannot swing 180°, or where Cush-n-Stop Arm is not used
Reveal	Should not exceed 7/32" (6 mm)
Top rail	Less than 5 3/8" (137 mm) measured from the stop requires plate, 4040XP-18PA. Plate requires 2" (51 mm) minimum from the stop.
Head frame	Flush or rabbeted requires PA shoe adapter, 4040XP-419
Stop width	Minimum 1" (25 mm). CUSH arm requires minimum 1 1/2" (38 mm)
Blade stop	Clearance requires 1/2" (13mm) blade stop spacer, 4040XP-61
Clearance	<ul style="list-style-type: none"> 4040XP-62PA shoe is 4" (102 mm) from door face EDA shoe projects 5 1/2" (140 mm) from door face CUSH shoe projects 6" (152 mm) from door face
Delay action	<ul style="list-style-type: none"> Incorporates standard 4041 cylinder, without XP cylinder Delays closing from 120° to 70° Delay time adjustable up to approximately 1 minute
Maximum opening	<ul style="list-style-type: none"> 180° opening/hold open points with all except CUSH arms 110° opening/hold open with CUSH arms

Notes:

- Optional mounting requires PA shoe, 4040XP-62PA for regular or Hold Open Arms
- Add prefix "P" to closer description (eg. P4040XP)
- P4040XP closer includes 4040XP-201 fifth hole spacer to support PA shoe

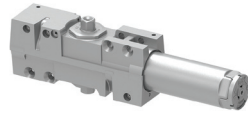
Accessories

Cylinders



**4040XP-3071
Cast iron cylinder
assembly (CYL)**

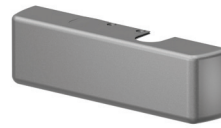
- Non-handed
- Heavy duty



**4041-3071 DEL
Delay Action Cylinder
(CYLDEL)**

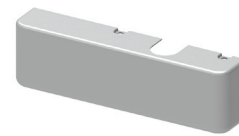
- Used for delayed action closing
- Non-handed
- Heavy duty

Covers



**4040XP-72
Plastic Cover (PC)**

- Non-handed
- Includes 4040XP-54 snap-on cover clip



**4040XP-72MC
Metal Cover (MC)**

- Handed
- Required for plated finishes and custom powder coat finishes
- Optional

Arms



**4040XP-3077
Regular Arm (REGARM)**

- Non-handed
- Mounts pull side or top jamb with shallow reveal P4041 closer includes PA shoe, 4040XP-62PA required for parallel arm mounting



**4040XP-3077L
Long Arm (LONG)**

- Non-handed
- Includes long rod and shoe, 4040XP-79LR for top jamb mount
- Optional



**4040XP-3077ELR
Extra Long Arm (XLONG)**

- Non-handed
- Includes extra long rod and shoe, 4040XP-79ELR for top jamb mount with deep reveal
- Optional



**4040XP-3049
Hold Open Arm (H)**

- Non-handed
- Mounts pull side or top jamb with shallow reveal, hold open adjustable shoe
- 4040XP closer includes 4040XP-62PA shoe required for parallel arm mounting
- Optional



**4040XP-3049L
Hold Open Long Arm (HLONG)**

- Non-handed
- Includes long head and tube, 4040XP-3048L for top jamb mount
- Optional



**4040XP-3077EDA
Extra Duty Arm (EDA)**

- Non-handed
- Features forged, solid steel main and forearm for potentially abusive installations
- Optional



**4040XP-3049EDA
Hold Open Extra Duty Arm (HEDA)**

- Handed
- Parallel arm features forged, solid steel main and forearm for potentially abusive installations
- Hold open function is adjusted at the shoe
- Optional



**4040XP-3077EDA/62G
Extra Duty Arm with 62G Thick
Hub Shoe (EDAW62G)**

- Non-handed
- Features forged, solid steel main and forearm for potentially abusive installations
- 62G shoe provides additional blade stop clearance
- Optional



**4040XP-3049EDA/62G
Hold Open Extra Duty arm with 62G
Thick Hub Shoe (HEDA62G)**

- Handed
- Features forged, solid steel main and forearm for potentially abusive installations
- 62G shoe provides additional blade stop clearance; hold open function is adjusted at the shoe
- Optional



**4040XP-3077CNS
Cush-n-Stop Arm (CUSH)**

- Non-handed
- Features solid forged steel main arm and forearm with stop in soffit shoe.
- Optional



**4040XP-3049CNS
Hold Open Cush-n-Stop Arm
(HCUSH)**

- Non-handed
- Hold open function with templated stop/hold open points
- Handle controls hold open function
- Optional

Accessories

Arms (cont.)



- 4040XP-3077SCNS**
Spring Cush-n-Stop Arm (SCUSH)
- Non-handed
 - For potentially abusive applications features solid forged steel main arm and forearm with spring loaded stop in the soffit shoe
 - Optional

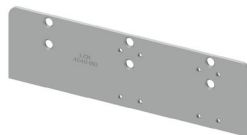


- 4040XP-3049SCNS**
Spring Hold Open Cush-n-Stop Arm (SHCUSH)
- Non-handed
 - For potentially abusive applications features solid forged steel main arm and forearm with spring loaded stop in the soffit shoe
 - Handle controls hold open function
 - Optional

Installation accessories



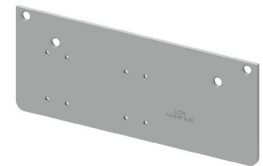
- 4040XP-18**
Plate
- Required for hinge side mount where top rail is less than 3 3/4" (95 mm)
 - Requires minimum 2" (51 mm) minimum top rail



- 4040XP-18G**
Plate
- Locates top jamb mounted closer flush with top of head frame face in flush ceiling condition
 - Requires 1 3/4" (44 mm) minimum head frame



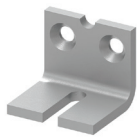
- 4040XP-18TJ**
Plate
- Centers top jamb mounted closer vertically on head frame where face is less than 3 1/2" (89 mm). Plate requires 1 3/4" (44 mm) minimum head frame



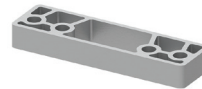
- 4040XP-18PA**
Plate
- Required for parallel arm mounting where top rail is less than 5 1/2" (140 mm), measured from the stop
 - Requires 2" (51 mm) minimum top rail



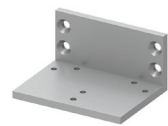
- 4040XP-62PA**
PA shoe
- Required for parallel arm mounting



- 4040XP-30**
CUSH shoe support
- Provides anchorage for fifth screw used with CUSH arms, where reveal is less than 3 1/16" (78 mm)
 - Optional



- 4040XP-61**
Blade stop spacer
- Required to lower parallel arm shoe to clear 1/2" (13 mm) blade stop
 - Optional



- 4040XP-419**
PA flush panel adapter
- Provides horizontal mounting surface for parallel arm shoe on single rabbeted or flush frame
 - Optional



- 4040XP-62A**
Auxiliary shoe
- Requires a top rail of 7" (178 mm)
 - Shoe replaces -62PA for parallel arm mounting of regular arm with overhead holder/stop
 - Optional



- 4040XP-54**
Snap-on cover clip
- Used to secure 4040XP-72 plastic cover to cylinder body

Introduction
Product selection guide
4010/4010T Series
4020/4020T Series
4030/4030T Series
4040XP/4040XPT Series
4050A/4050AT Series
4110/4110T Series
4000T Series

Ordering information

How-to-order 4040XP Series closers

1. Select finish

- Standard powder coat _____
Aluminum (689), Dark Bronze (695), Statuary Bronze (690), Light Bronze (691), Black (693), or Brass (696)

Closer options

Cylinder

- Delay Action Cylinder (CYLDEL)

Cover

- Metal (specify right or left hand)(MC)

Finish

- Custom powder coat (RAL) _____
(handed metal cover required)
- Plated finish, US _____
(handed metal cover required)
- SRI primer
(use with powder coat finishes only)

Arm

- Regular Arm (REGARM)
- Regular Arm with Parallel Arm Bracket (RWPA)
- Regular Arm with 62A Auxiliary Shoe (RW62A)
- Long Arm (LONG)
- Extra Long Arm (XLONG)
- Hold Open Arm (H)

- Hold Open with Parallel Arm Bracket (HWPB)
- Hold Open Long Arm (HLONG)
- Extra Duty Arm (EDA)
- Extra Duty Arm with 62G Thick Hub Shoe (EDAW62G)
- Hold Open Extra Duty Arm (HEDA)
- Cush-n-Stop Arm (CUSH)
- Hold Open Cush-n-Stop Arm (HCUSH)
- Spring Cush-n-Stop Arm (SCUSH)
- Spring Hold Open Cush-n-Stop Arm (SHCUSH)

Optional screw packs

- Through Bolt¹ Self Reaming and Tapping Screws (TBSRT)
- Wood and Machine Screws (WMS)
- Through Bolt¹ Wood and Machine Screws (TBWMS)
- Torx Machine Screws (TORX)

- Through Bolt¹ and Torx Machine Screws (TBTRX)

Installation accessories

- Plate, 4040XP-18
- Plate, 4040XP-18TJ
- Plate, 4040XP-18G
- Plate, 4030-18PA
- CUSH shoe support, 4040XP-30
- Blade stop spacer, 4040XP-61
- Auxiliary shoe, 4040XP-62A
- PA flush panel adapter, 4040XP-419

Special template

- ST- _____

1. Specify door thickness if other than 1 3/4".

Table of sizes

- 4040XP cylinders are adjustable from size 1 through size 6 and is shipped set to size 3
- Closing power of 4040XP Series closers may be adjusted 50%

Exterior (and vestibule) door width



Interior door width



→ Indicates recommended range of door width for closer size.
* Adjustable Size 1 thru 5.


Closer will be shipped with:

- Standard cylinder
- Standard cover
- Regular arm
- Self reaming and tapping screws
(unless options listed below are selected)

Reduced opening force 4040XP Series closers

CAUTION! Any manual door closer, including those certified by BHMA to conform to ANSI Standard A156.4, that is selected, installed and adjusted based on ADA or other reduced opening force requirements may not provide sufficient power to reliably close and latch a door.

Refer to Automatic Operators catalog for information on systems that meet reduced opening force requirements without effecting closing power.

	Door width	36"	42"	48"
	8.5* lbs.	4040XP	4040XP	4040XP
	5.0* lbs.	4040XP	4040XP	4040XP

* Maximum opening force.